

Zoeller Residential Septic Tank Effluent Filter Specifications

Application: Single family homes.

Filter Area: 132 Linear Feet of 1/16" filtration.

Flow Rate: 1,000 gpd.

Material: All materials are noncorrosive in the septic tank environment. Sleeve is PVC, primary filter is polypropylene, and filter connection element is neoprene.

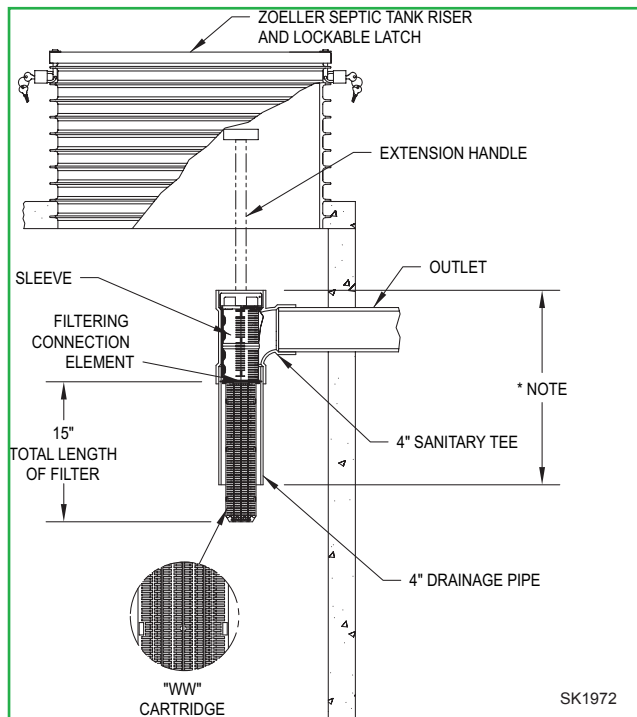
Easy to install or retrofit: The Zoeller Septic System Filter fits inside any 4" sanitary tee. Slide the filter cartridge into the filter sleeve. Slide the assembled cartridge and sleeve into the sanitary tee at the tank's outlet. Ensure the sleeve latch is pointing toward the outlet of the septic tank before filter placement into the tee. The drain field is now protected from solids greater than 1/16".

Adding an extension handle: A 1/2" PVC pipe can be attached to the top of the filter with a stainless steel screw. Cut off to appropriate length below the lid.

Easy to maintain: The filter can be maintained by rotating the cartridge counterclockwise and removing for cleaning. The sleeve should remain in the sanitary tee while cleaning the cartridge. To clean, hold cartridge over septic tank opening and rinse with hose until clean, washing filtered trash back into septic tank. After cleaning the cartridge the sleeve should be cleaned inside and out. Reinsert the cartridge, turn it clockwise in the sleeve, locking in place. Remove the filter and sleeve assembly from the sanitary tee. The Zoeller filter should be cleaned each time the septic tank is pumped or when the need is indicated by slow flows from the house. More frequent cleanings will not hurt the filter and could even improve the performance of your septic tank. For installations that exceed the design flow rate of the filter, more frequent cleanings may be required. Two or more filters may be connected with a manifold for higher flow applications.

Troubleshooting, repair, and replacement: Follow the install and maintenance instructions above. For replacement components, call 1-800-928-PUMP.

Lifetime Warranty: Every Zoeller filter is guaranteed to be free from defects in materials and workmanship for the lifetime of the homeowner/purchaser. Free repair or replacement, excluding labor, will be made on return of the filter prepaid to the factory. This warranty is limited to product proven to be free from abuse or improper installation.



ALL ZOELLER ONSITE PRODUCTS MUST BE INSTALLED IN ACCORDANCE WITH PLUMBING AND HEALTH DEPARTMENT CODES.

Distributed By:



1-800-928-PUMP
www.zoeller.com